

FLEXIBLE AXIS METER FAM

5/8," 3/4"



PATENTED DESIGN FOR EXCLUSIVE GO ANYWHERE PERFORMANCE

Master Meter's Flexible Axis Meters boldly go where few other meters can — and save you money in the process. Ideal for residential applications, these accurate and quiet operating meters, fit challenging inside sets — under counters, between studs, along pipes run against walls. Regardless of pipe angle, our patented design ensures the measuring chamber can always be positioned horizontally for maximum performance and accuracy. Retrofit without costly re-plumbing and discover submetering is a practical reality in locations where installation costs were previously thought to be cost-prohibitive.

REMOTE READ FOR ANY SITUATION

Flexible installs give way to flexible data collection options. Choose the optional DIALOG 3G® Integrated AMR Register and put our ConnectionFree™ AMR Technology to work for you. 3G delivers powerful results with 4,000 read data logging, capable of providing detailed usage profiles, and vigilant Revenue Impact Alerts™ monitoring for leaks, theft (*backflow*), tamper, and zero consumption. Our submetering read solution provides simultaneous support for fixed network reads along with handheld and mobile read collection, while integrating data with virtually any Read Bill and Collect (RBC) company's system.

READ:

- * Direct Read/Manual
- * Proximity/Wand Read - 2G
- * Mobile Drive-By AMR - 3G
- * FixedLinx™ Fixed Network AMI Solution - Utilizes the 3G technology backbone with simultaneous Mobile AMR and Fixed Network AMI data collection capabilities.

FEATURES & BENEFITS:

- * 360° Angle Installation Flexibility
- * Fits Tight Inside Space Challenges
- * Flushing or Testing Plug Eliminates Need for Jumper Tubes
- * Sustained Accuracy for Maximum Revenue Over Time
- * Engineered for Efficient Flow Patterns with Minimal Head Loss
- * Quiet Operation Ideal for Inside Residential Use
- * Meets All Applicable AWWA Standards; Optional NSF-61 Certification
- * AMR/AMI Capable

With Optional 3G Integrated Register:

- * Rich 4,000 Read Data Logging Capabilities (scalable / customer defined resolution)
- * Revenue Impact Alerts - Leak, Tamper, Theft (*backflow*), and Zero Consumption
- * Deploy District Metering Areas or Zones (DMA/DMZ) Advanced Infrastructure Leak Management Programs.
- * Supports Conservation Program Enforcement.

4,000 READ DATA LOGGING

- * AccuLinx™ 8-Wheel Absolute Encoder (also available with integrated DIALOG 3G)
- * DIALOG 3G Integrated AMR Register DIALOG 2G® Pit
- * DIALOG 2G Indoor
- * 3-Dial Electrical Output Register designed for Indoor placement. Available with 10-pulse count per gallon (GPC) (5/8" size) Direct Read



Easy Install | 360° Angle Flexibility | Ideal for Submetering |
Quiet for Inside Set | AMR/AMI Capable

TECHNICAL SPECIFICATIONS:

AWWA Standard - Meets or exceeds all sections of Standard ANSI/AWWA C708, most recent revision for cold water multi-jet meters with AWWA bronze main cases.

NSF/ANSI Standard 61 - Master Meter's advanced polymer pressure vessel design is inherently free of any metallic compounds. Optional EnviroBrass unleaded main case available.

Design/Operation - The flow tube provides a straight run of pipe upstream and downstream of the measuring element, conditioning flow for maximum accuracy. Installation flexibility allows the measuring chamber to always be positioned horizontally for high accuracy and long-life operation. A precision engineered measurement chamber and measuring elements deliver virtually noise-free operation critical for inside-set meters

Flow Tube - Polymer: Corrosion resistant lead-free construction consisting of proven tough, 40% glass-reinforced nylon rated polymer with burst resistance to 750 psi. Threaded and unthreaded meter coupling provides simple, effective installation options. EnviroBrass: Optional unleaded EnviroBrass Flow tubes are available.

Main Case - The Flexible Axis Meter main case is constructed of lead-free, corrosion-resistant 50% glass-reinforced nylon.

Register - Standard Direct Read, DIALOG 2G and DIALOG 3G AMR System registers are available. Six wheel odometers are standard. Optional 8-wheel resolution AccuLink Absolute Encoder available. Together, an integrated and migratable technology environment is attained; direct, proximity (wand), mobile AMR, and Fixed Network AMI.

Register Sealing - All Direct read and DIALOG® registers are IP-68 rated, permanently sealed with a scratch resistant glass lens, stainless steel base and wrap-around gasket to prevent intrusion of dirt or moisture.

Register Units - Registration available in either U.S. gallons, cubic feet or cubic meters.

Magnetic Drive - A reliable, direct magnetic drive provides linkage between measurement element and register. No intermediate gearing is required; no gearing is exposed to water.

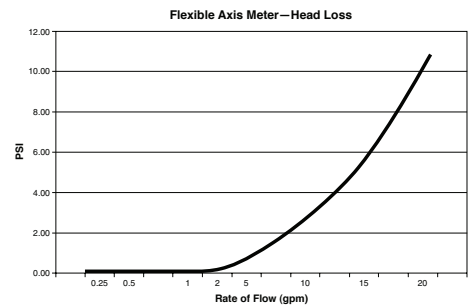
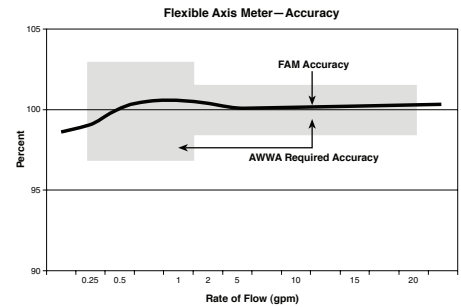
Test Circle - Large center sweep hand with one hundred (100) clearly marked gradations on the periphery of the dial face.

Low Flow/Leak Indicator - All DIALOG and Direct Read registers have a Center mounted indicator with high sensitivity resulting from direct one-to-one linkage to the measuring element.

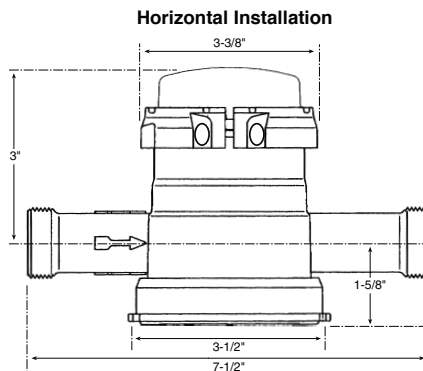
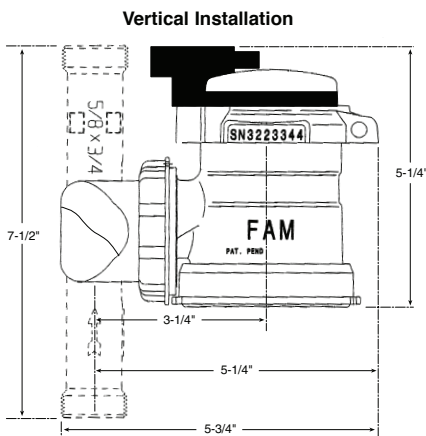
PERFORMANCE AND MATERIALS

CHARACTERISTIC	Flexible Axis Meter 5/8" x 3/4"	AWWA C-708 5/8" x 3/4"
Operating Capacity	20 gpm	20 gpm
Maximum Rate for Continuous Duty	15 gpm	10 gpm
Maximum Pressure Loss at Maximum Flow	10.9 psi	15 psi
Normal Flow Range (± 1-1 /2 %)	1 - 20 gpm	1 - 20 gpm
Minimum Flow(± 3%)	1/4 gpm	1/4 gpm
Maximum Working Pressure	150 psi	150 psi
Maximum Working Temperature	120° F	105° F
Meter Casing Spuds, Nominal Thread Size	1"	1"
Nominal Pipe Size	3/4"	3/4"
Weight	2.2 lbs.	Not specified
Materials: Main Case	Glass-reinforced Nylon	Copper alloy, Minimum 75% copper
Measuring Chamber	Glass-reinforced Nylon	85% copper or engineered plastic
Register Construction	Glass lens, stainless steel case, rubber gasket	Not specified

PERFORMANCE CURVES



DIMENSIONS



Master Meter, Inc.

101 Regency Parkway, Mansfield, TX 76063

Toll Free: 800-765-6518 • Main Line: 817-842-8000 • FAX: 817-842-8100

www.mastermeter.com



©2010 Master Meter, Inc. All rights reserved. DIALOG and Master Meter are registered trademarks of Master Meter, Inc. Master Meter reserves the right to make modifications to the products described herein at any time and without notice. U.S. Patent Nos. 7,343,795; 7,135,986; 6,819,292; 6,954,178; 6,178,816; 6,386,029 and others pending.